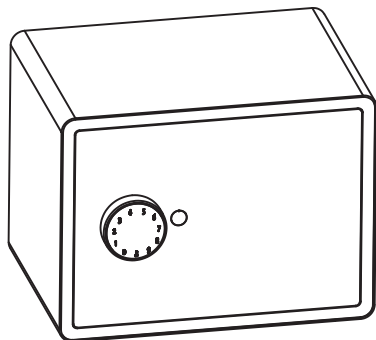


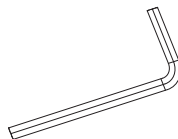
USER MANUAL

Smart Safe OX & OX Pro

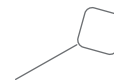
What's Included



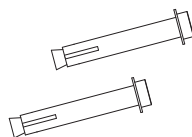
Smart Safe OX x 1



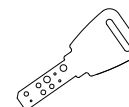
M6 Screw Driver x 1



Reset Tool x 1



M6 Wall-Mount Screw x 2



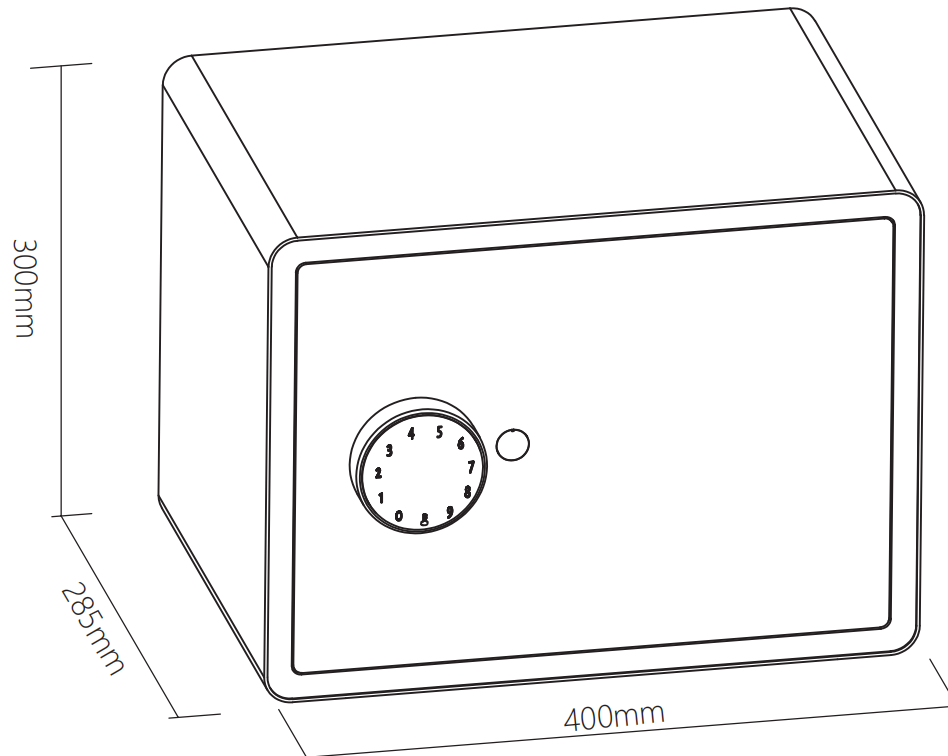
Mechanical Key x 2



Hello Card x 1

Specification

| | |
|-------------------------|--|
| Model | OX & OX Pro |
| Material | Galvanized steel |
| Battery | 4×AA Battery |
| Unlock Mechanism | Bluetooth, PIN Code, App, Mechanical Key |



Features

Lock&Unlock




Administrator Unlock

Set a Master Administrator PIN for Unlocking, settings, operations etc. And only the administrator could change the administrator PIN code.

Mobile Control



Bluetooth Unlock

With your Mobile app you could unlock the Safe by swiping the  to the right.



Mobile Administrator

Set Administrator PIN Codes on your Mobile to unlock, add members, delete members, etc.

Battery



Battery Life

The battery lifetime will be 12 months for operating.



Low Consumption

BLE broadcasting turns to sleep mode if no operation.

Burglar Alarm



The alarm will be activated if anyone attempts to destroy the Safe, and the High decibel buzzer will be turned on.

Emergency



Emergency Unlocked

When the power is down, we can use Mechanical Key to open the Safe.



User Unlock

This Smart Safe allows to add up to 200 user PIN codes for your family and friends.



Remote Sharing

You could generate offline code through mobile App and let your friends and family access the Safe.



Low Battery

When the batteries run out of power, system will remind you to replace the batteries.

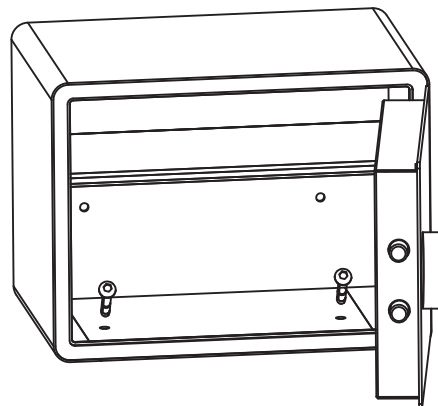
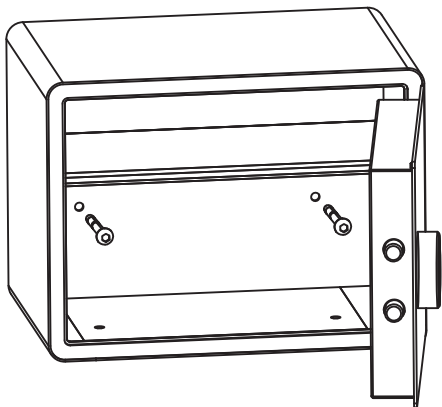


System Lockdown

The lock will be lockdown for 5 minutes if continuously enter wrong passwords for 5 times.

Installation

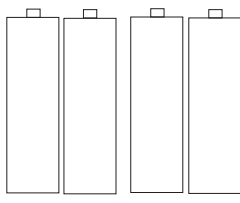
>. Please use the 2 mounting screws to fix the safe on your wall or cabinet.



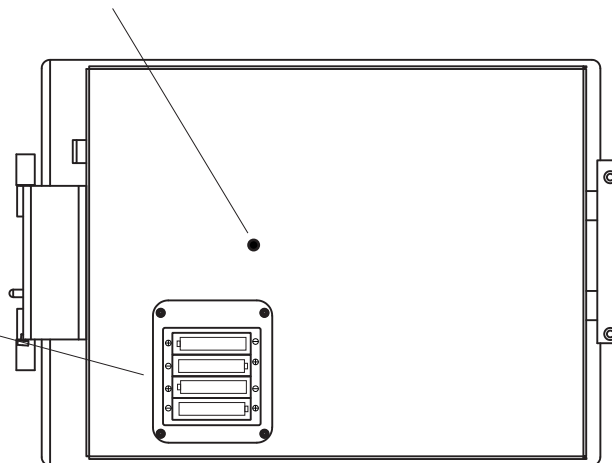
Quick Start

Step 1 > Install Battery

>. Put 4 × AA Battery into the battery dock.




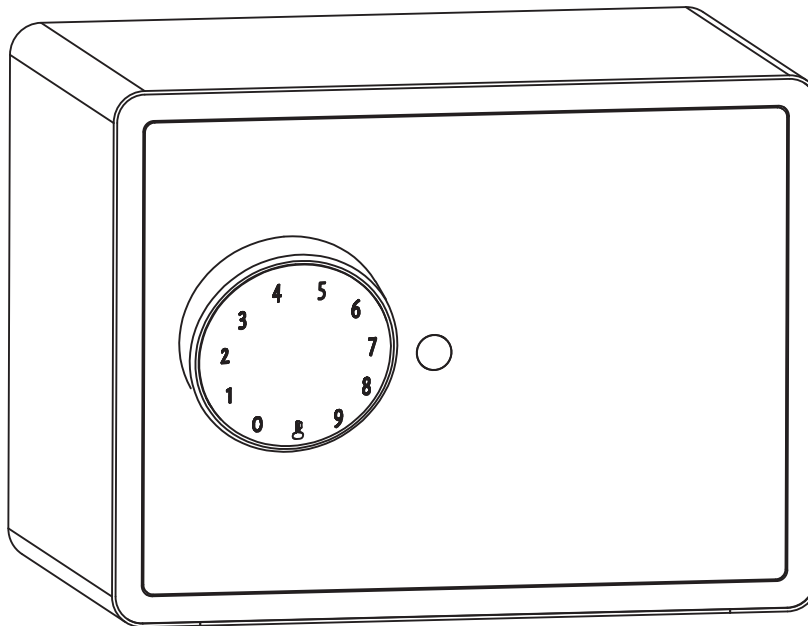
Reset Button






Step 1 > Change Admin Password-Initial Admin Password:123456

Administrator is required to reset the admin code before adding other user codes.

>1. Tap  and hold for 3 seconds and release, you will be hearing a confirmation sound.



>2. Right after the a confirmation sound please key in:

Initial admin code+ + new admin code+ +new admin code again+ , when you hear a confirmation sound the admin code has been changed.

Step 2>Download Mobile App

>1. Scan QR Code below to download the App and turn on your mobile Bluetooth. You can also choose to download other App supported by Tuya.



Step 3>Add Device

Activate Bluetooth to enter pairing mode

> 1. Tap 🔑+ 9 + 🔑+ admin code + 🔑, when you see the light slowly blinks in blue then you are ready to pair

